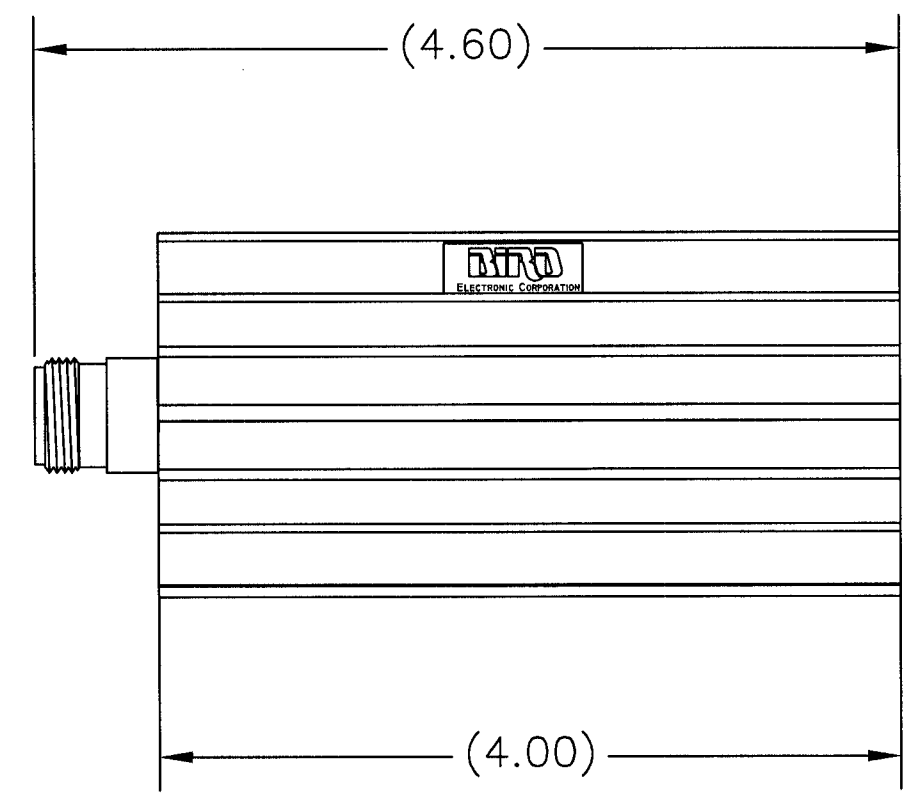
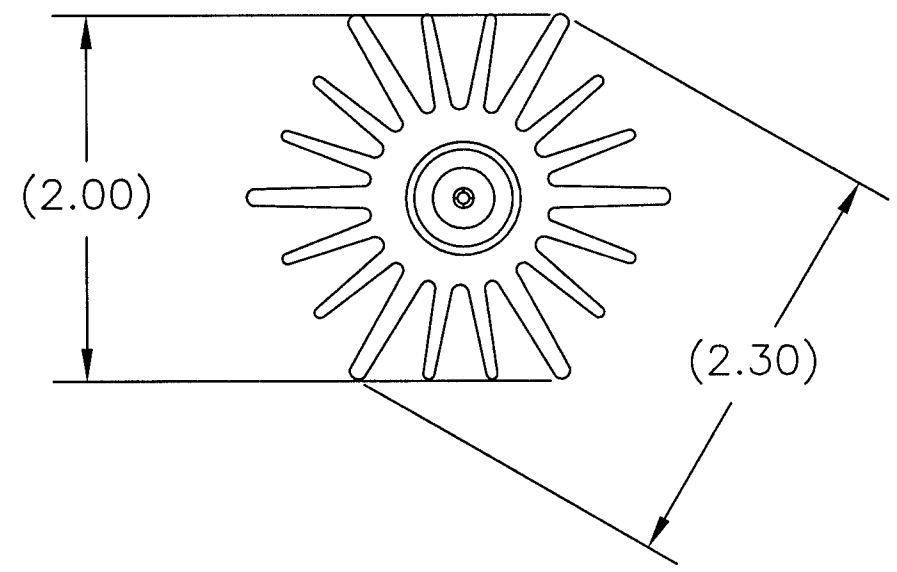



REV A
SHEET 1
25-T-FN
DWG NO.

SPECIFICATIONS:
 25 WATT COAXIAL TERMINATION
 POWER RATING: 25 WATTS MAXIMUM @ 40°C.
 30 WATTS MAXIMUM @ 25°C.
 CONNECTOR: N-TYPE, FEMALE
 FREQUENCY RANGE & VSWR: DC TO 1GHz AT 1.10:1 MAX.
 1GHz TO 4GHz AT 1.25:1 MAX.
 IMPEDANCE: 50 OHMS, NOMINAL
 AMBIENT TEMPERATURE RANGE: -40°C TO +40°C
 OPERATING POSITION: ANY
 COOLANT: DRY (CONVECTION COOLED)
 FINISH: BLACK ANODIZED COOLING FINN, SILVER OR TRI-ALLOY PLATED CONNECTORS
 NOMINAL SIZE: 4.59"L X 2.3" DIA. (WITH AN N-TYPE, FEMALE CONNECTOR)
 WEIGHT: APPROX. 7 OZ.

REVISIONS				
ZONE	REV	DESCRIPTION	DATE	APPROVED
	A	ECN #0185	12-18-97	<i>mm</i>



DIMENSIONS HEREON ARE FOR CUSTOMER CONVENIENCE AND REFERENCE ONLY. TOLERANCE TO BE APPLIED ONLY WHERE INDIVIDUALLY STATED ON THE RESPECTIVE DIMENSION. -DO NOT SCALE DRAWING-

UNLESS OTHERWISE SPECIFIED DIMENSIONS ARE IN INCHES TOLERANCES ARE:		MILLIMETERS .X = ±.4 .XX = ±.12		THIS DRAWING IS THE PROPERTY OF THE BIRD ELECTRONIC CORPORATION. THE DESIGNS AND SPECIFICATIONS DISCLOSED HEREON ARE PROPRIETARY AND SHALL NOT BE REPRODUCED, NOR COPIED, NOR USED AS THE BASIS FOR THE MANUFACTURE OR SALE OF APPARATUS OR DEVICES WITHOUT THEIR EXPRESS WRITTEN CONSENT.				 BIRD Electronic Corporation Cleveland (Solon) Ohio USA	
FRACTIONS DECIMALS ANGLES ± 1/64 .XX = ±.010 ± 30' .XXX = ±.005		DO NOT SCALE DRAWING		APPROVALS		DATE		TITLE	
MATERIAL		DRAWN		D.M.RINK		11-15-02		F/ASSY, TERMINATION N-TYPE FEMALE, 25W	
FINISH		CHECKED		APPROVED		1-13-03		SIZE B	
				<i>WPAK U</i>		AUTOCAD		FSCM NO. 70998	
								DWG. NO. 25-T-FN	
								REV A	
								SCALE 1:1	
								COMM CODE LD1	
								SHEET 1 OF 1	